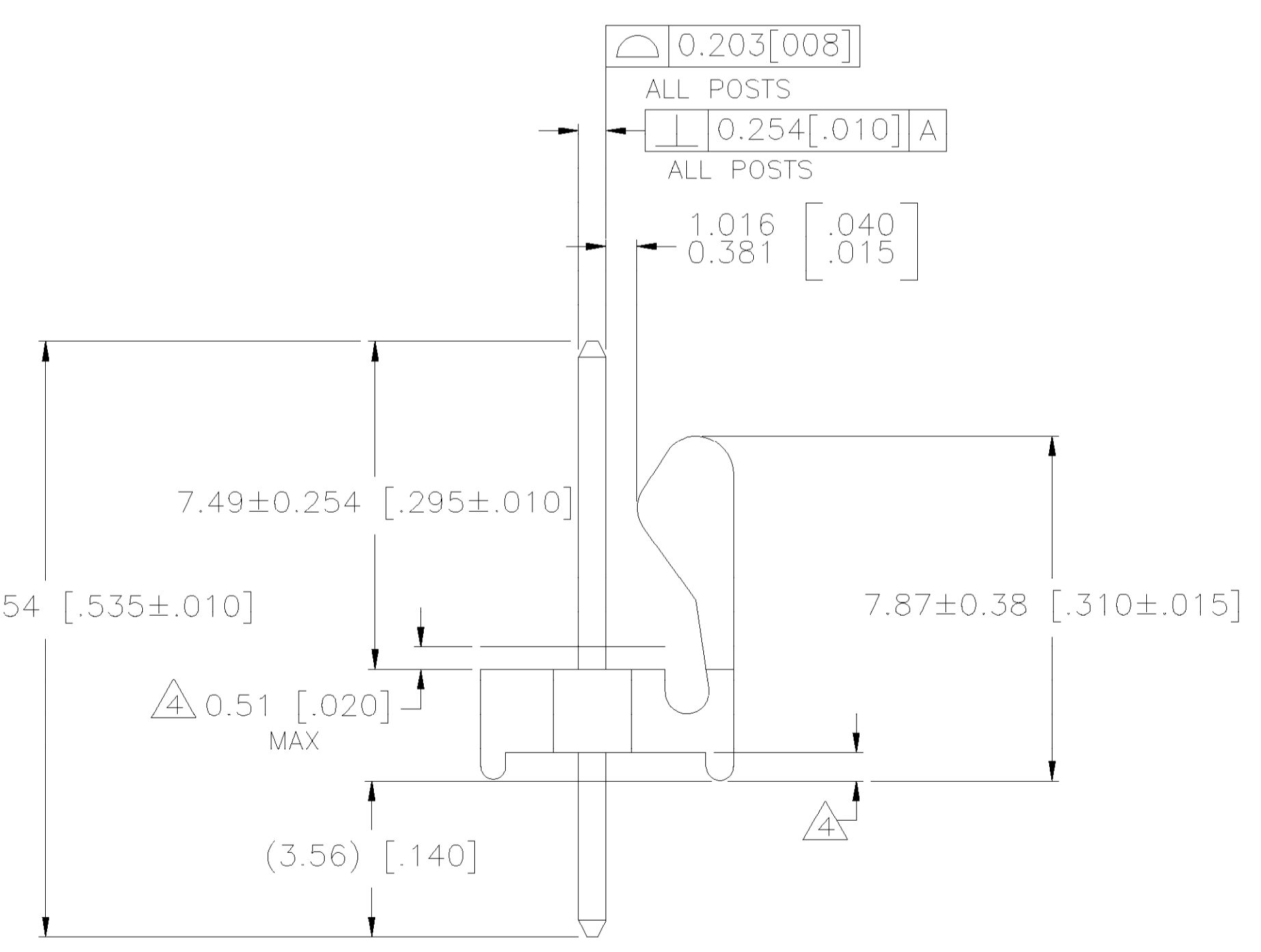
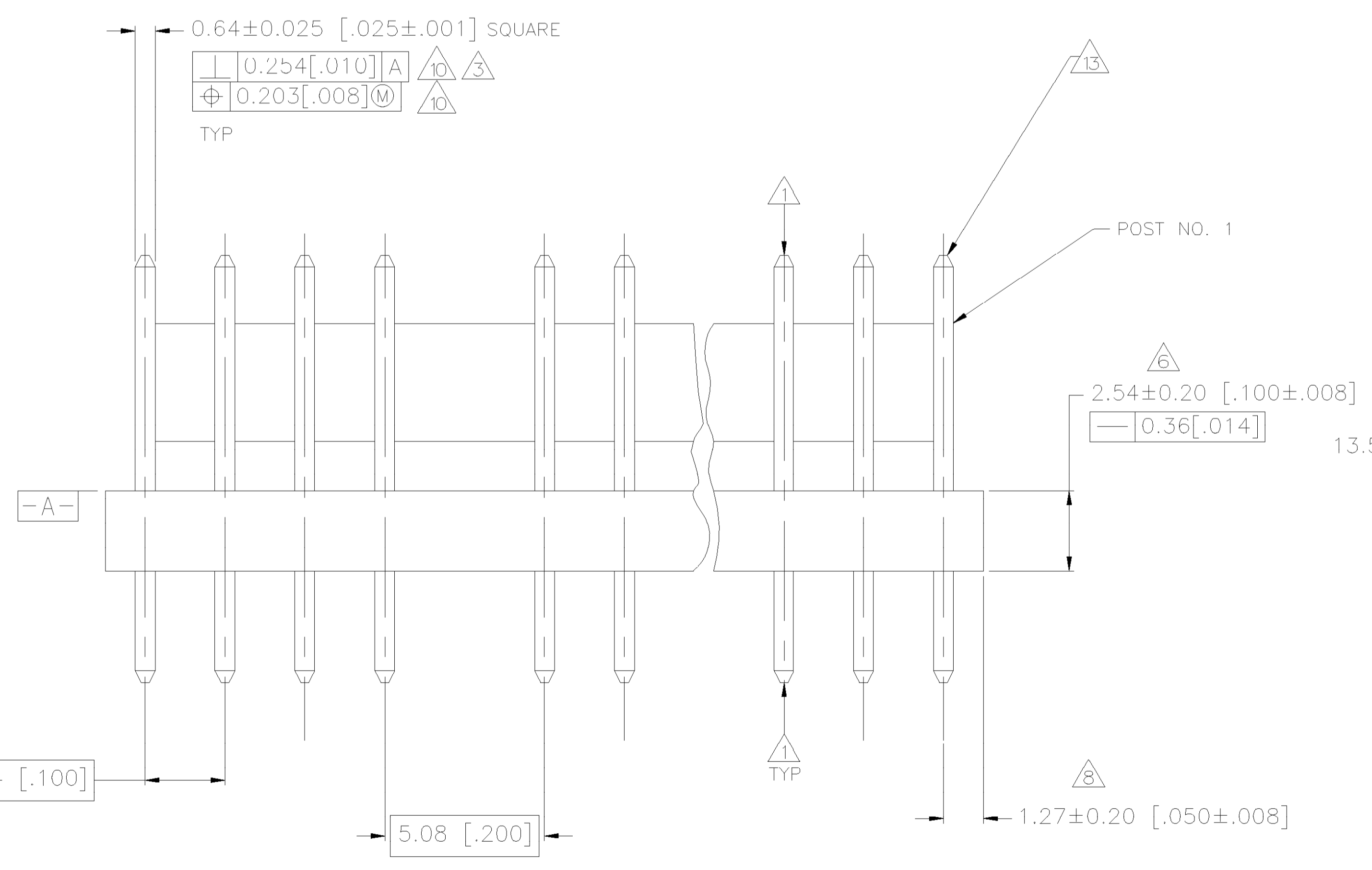
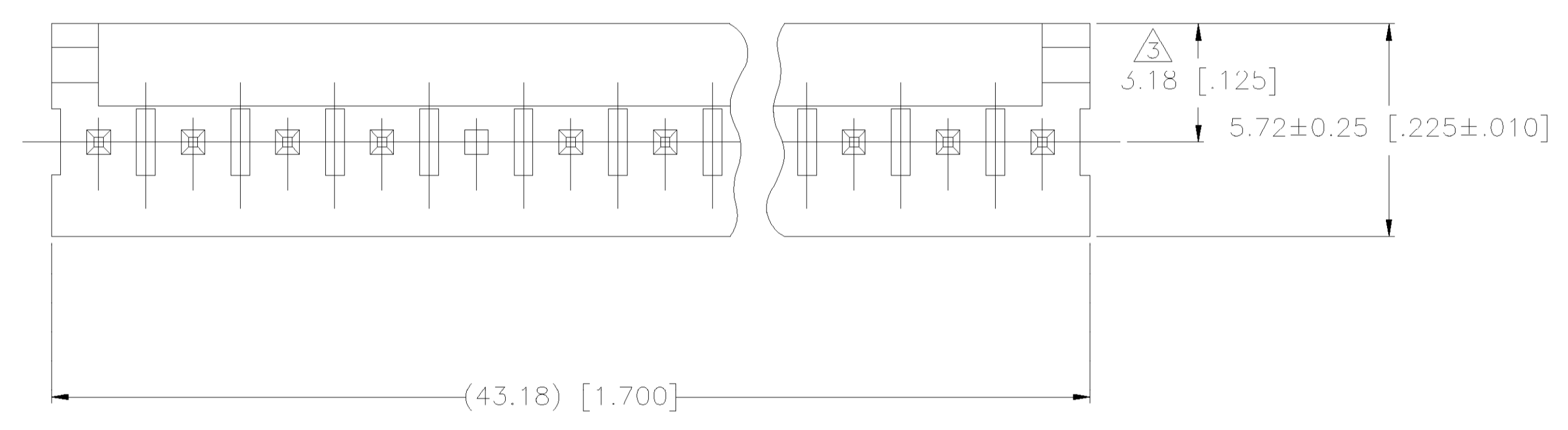


- 1 POST TO WITHSTAND 13 NEWTONS [3.0] LBS. MIN. AXIAL FORCE IN BOTH DIRECTIONS SHOWN WITHOUT DISLODGING.
- 2 TOLERANCES APPLY TO SOLDER SIDE OF BOARD.
- 3 MEASURED AT DATUM  $-\bar{A}-$
- 4 PLASTIC FLASH PERMITTED IN THIS AREA.
- 5 PARTS COMPLY WITH SOLDERABILITY SPEC. NO. 109-11-2.
- 6 ONE HOLE MAY BE UNDERSIZED 0.813-0.889 [.032-.055] DIA. FOR ASSEMBLY RETENTION DURING WAVE SOLDERING.
- 7 MATERIAL: HEADER-THERMOPLASTIC POLYESTER  
UL94V-0(NATURAL)  
POST-COPPER ALLOY (TIN-PLATED)
- 8 COORDINATE DIMENSION APPLIES FROM CENTER OF ACTUAL FEATURE.
- 9 PLASTIC BURRS CAUSED BY CUT-OFF TOOLING ARE PERMITTED WITHIN THE MAXIMUM TOLERANCE ENVELOPE.
- 10 POSTS TO BE MEASURED WHEN STRIP IS HELD FLAT.
- 11 POSTS MUST WITHSTAND TWO 90° BENDS AGAINST EXTRUSION WITHOUT BREAKING.
- 12 DIMENSION SHOULD BE 3.302 [.130] MIN WHEN MATING WITH A MTA 100 CONNECTOR ASSEMBLY OR A CST 100 CONNECTOR.
- 13 PIN BURR OF 0.127 [.005] MAX. HIGH AND 0.076 [.003] MAX. WIDE PERMITTED AT POST TIPS ON BOTH ENDS.



PART SHOWN 644211-4

8	644211-6
15	644211-5
6	644211-4
5	644211-3
3	644211-2
POST NUMBER OMITTED	PART NUMBER

THIS DRAWING IS A CONTROLLED DOCUMENT.

DIMENSIONS: MM [INCHES]	TOLERANCES UNLESS OTHERWISE SPECIFIED:	DRN: S. HAMM 25-JUL-2001	TE Connectivity ASSEMBLY, MTA-100 HEADER, FRICTION LOCK, NOTCHED, 0.635 [.025] SQUARE STRAIGHT POST, 17 POSITION W/OMITTED POST
0 PLC ± -	1 PLC ± -	CR: D. BOSSI 25-JUL-2001	
2 PLC ± 0.13[.005]	3 PLC ± -	APVD: D. BOSSI 25-JUL-2001	
4 PLC ± -	ANGLES FINISH ± 0°30'	NAME: PRODUCT SPEC	
MATERIAL: 7	7	APPLICATION SFFC: -	SIZE: A1
CUSTOMER DRAWING		SCALE: 8:1	SHEET 1 OF 1

REV E1